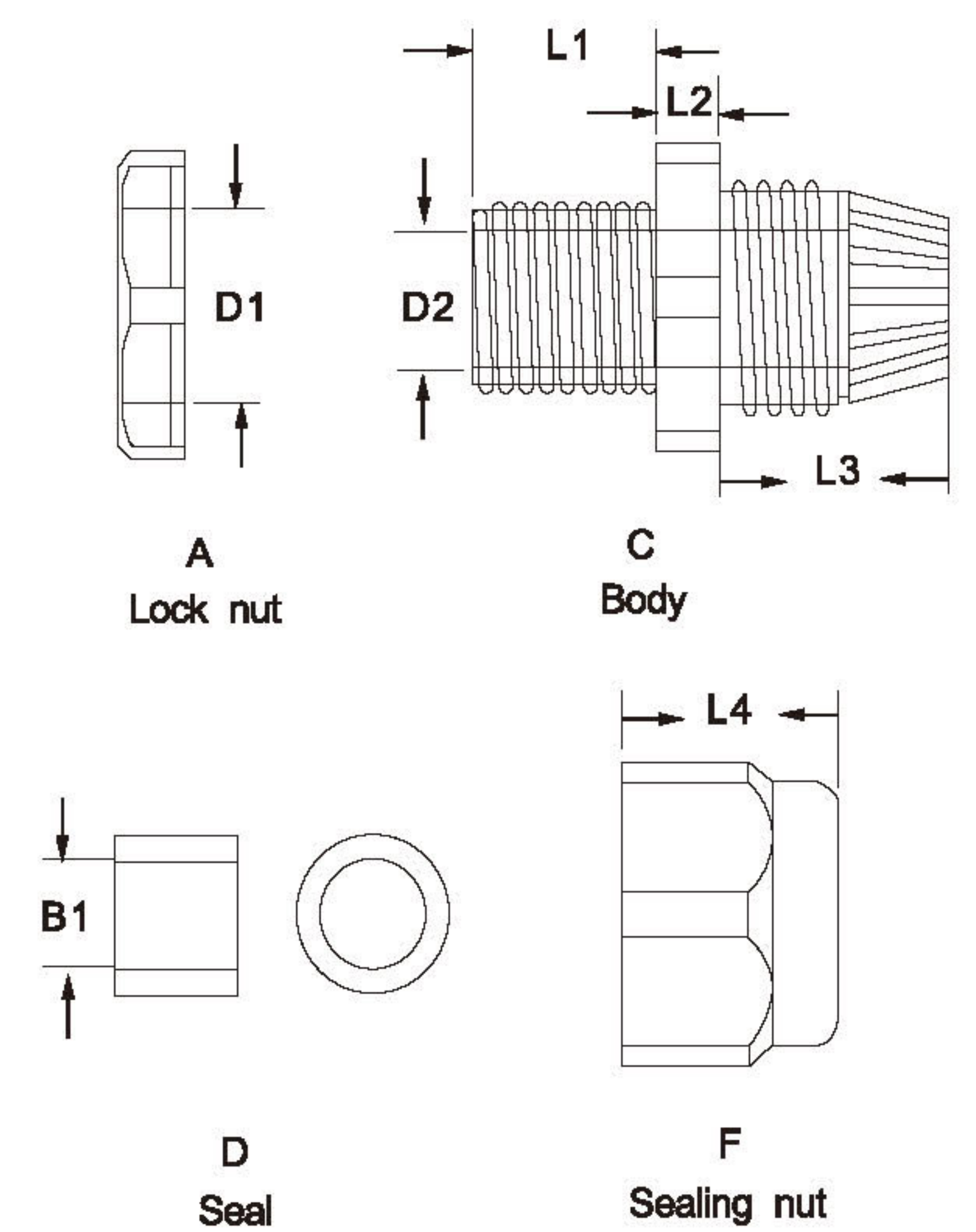


A053 NYLON CABLE GLANDS(PG TYPE)

- **Material:** made from UL Nylon 66, 94V-2 and tight ring from rubber.
- **Feature:**
 1. Special designation, good strength and none damage to electrical machine.
 2. not need to dismetgrate the fix terminal, cable can be inserted through directly then tighten easy and save time.
- **Application:** used for machinery control box, distribution plate, machine and electrical, etc.

ITEM NO.	D1	D2	L1	L2	L3	L4	B1	Cable range
PG-07	12.0	8.1	9	5	15	14.0	6.4	3.5-6
PG-09	16.0	11.0	9	5	15	16.0	8.6	4-8
PG-11	17.9	13.0	9	5	18	18.0	10.7	5-10
PG-13.5	20.2	15.0	9	5	20	19.0	13.3	6-12
PG-16	22.0	17.0	11	5	20	19.0	14.3	10-14
PG-19	24.0	19.0	11	5	22	21.0	15.5	12-15
PG-21	26.9	21.8	11	6	24	22.0	16.7	13-18
PG-24	29.8	24.0	13	7	24	24.0	19.2	15-22
PG-29	36.0	28.0	13	7	25	24.0	24.8	18-25
PG-36	45.7	39.0	15	8	32	27.0	30.7	22-32
PG-42	54.0	46.0	15	8	33	29.0	35.6	30-38
PG-48	59.0	51.0	16	8	36	30.0	41.4	34-44
PG-63	71.0	63.5	28	9	45	44.0	55	42-54



A054 CABLE HOLDER



Type	Cable Size	A	B	C	D	E
CH34	(20-30)mm ²	90	43	60.5	22	34
CH48	(36-52)mm ²	108	49.5	75	32.7	48
CH57	(55-75)mm ²	114.5	52.6	83.5	36	57
CH69	(75-95)mm ²	128	66	96	46.7	69
CH95	(90-150)mm ²	150	55	120	65	95

