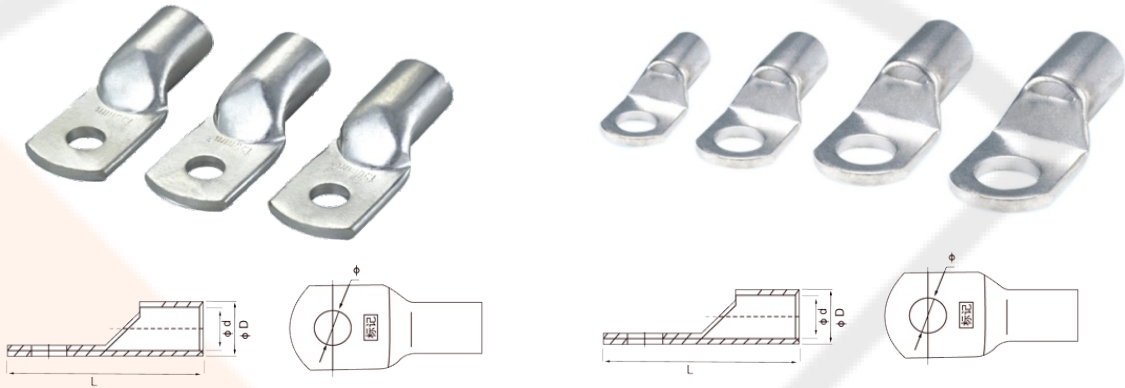


### A303 Cable lug JGA, JGK



JGA, JGK terminals are suitable for the connection of copper conductor section from 1.5 to 1000sqmm. in power cable with electronic equipment, terminals are made of with 99.9% pure copper tube T2 and with Tinned coating.

Working temperature:-55C to 150 C

Type JGA	Type JGK	Ø	D	d	L
JGA-1.5	JGK-1.5	Ø4.2, Ø5.2	3.5	1.8	18
JGA-2.5	JGK-2.5	Ø4.2, Ø5.2, Ø6.2	4	2.5	19
JGA-4	JGK-4	Ø5.2, Ø6.2	4.8	3.1	21
JGA-6	JGK-6	Ø5.2, Ø6.2, Ø8.2	5.5	3.8	24
JGA-10	JGK-10	Ø6.2, Ø8.2	6.8	4.8	25.5
JGA-16	JGK-16	Ø6.2, Ø8.2, Ø10.5	7.5	5.5	30.5
JGA-25	JGK-25	Ø6.2, Ø8.2, Ø10.5	9	7	34
JGA-35	JGK-35	Ø6.2, Ø8.2, Ø10.5, Ø12.5	10.5	8.2	38
JGA-50	JGK-50	Ø8.2, Ø10.5, Ø12.5	12.5	9.8	45
JGA-70	JGK-70	Ø8.2, Ø10.5, Ø12.5	14.5	11.5	50
JGA-95	JGK-95	Ø10.5, Ø12.5	17.5	13.8	55.5
JGA-120	JGK-120	Ø10.5, Ø16.5	19.5	15.5	63
JGA-150	JGK-150	Ø12.5, Ø16.5	21	16.5	71
JGA-185	JGK-185	Ø16.5	23.5	18.8	78
JGA-240	JGK-240	Ø16.5	26.5	21	92
JGA-300	JGK-300	Ø16.5, Ø20.5	30	24	102
JGA-400	JGK-400	Ø16.5, Ø20.5	34	26.5	113
JGA-500	JGK-500	Ø16.5, Ø20.5	38	30	123
JGA-630	JGK-630	Ø20.5	45	35	135
JGA-800	JGK-800	Ø22.5	50	39	170
JGA-1000	JGK-1000	Ø22.5	56	44	200