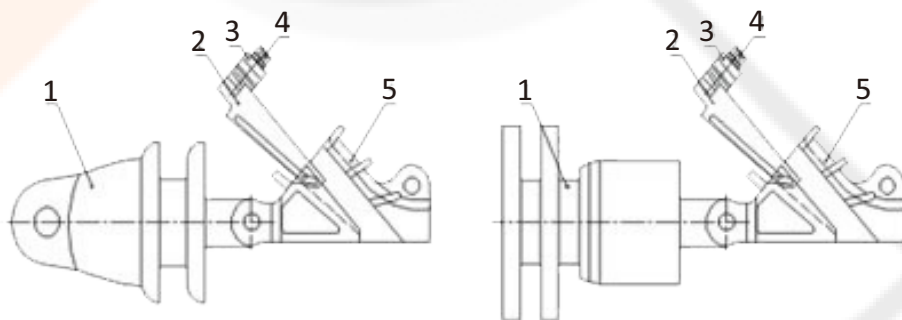


B201 Strain clamp wedge type NXL series 1 to 10 kV



DESCRIPTION: NXL Series strain clamp (wedge type) is suitable for distribution wire up to 10kV, fixing the aerial insulation aluminium conductor or naked aluminium conductor on the rotate angle or insulator of terminal strain pole.

Type size	section(mm) ²		Length (mm)	Grip strength (kN)		Failure load (kN)	Insulation cover type
	Bare conductor	Insulated conductor		Bare	Insulated		
NXL-2	120 150	35-70	255	12.7 15.2	8.9 11.3	23.4	NXL-150
NXL-3	185 240	70-120	300	18.5 23.6	13.6 17.3	36.3	NXL-240
NXL-4	300-400	150-240	320	55	22.5	61	-
NXL-5	-	300-400	350	65	30.3	68	-



1. Insulator 2.wedge parts 3.close pad 4. Hex. Bolt 5. Wedge main body