

B211 Strain clamp aluminum alloy bolt type

PRODUCT DESCRIPTION:

$aSx.y-N$

- a =Number of bolts; S =Strain clamp; x =Min.dia of conductor; y =Max.dia of conductor; N = Bolt size.

The aluminium alloy strain clamp is suitable for a bare aluminium conductor that has a steel core. The main advantages are in its low weight, small dimensions, and easy installation. It can be used on substations or distribution lines. Shortcut resistance is 20 kA.

PRODUCT RANGE:

Type	Cable Diameter (mm)	U bolt No.	Breaking Load (KN)	Insulated Conductor Size (mm ²)	
				1KV	10KV
2S5.16-N16	5 to 10	2xM12	40	25-70	10-25
2S10.14-N16	10 to 14	2xM12	40	50-120	25-50
3S14.18-N16	14 to 18	3xM14	70	120-240	70-120
3S18.23-N16	18 to 23	3xM14	90	185-300	150-240
5S23.29-N16	23-29	5xM16	100		300

MATERIALS:

High conductivity aluminum alloy, stainless steel clip, H.D.G. steel.

VARIANTS:

The product is manufactured with the supplied modifications as abovementioned in PRODUCT RANGE.

PACKING: for 2S5.16-N16

Carton dimensions: 390x280x235 cm

Carton contents: 30 pcs

Weight: 450 g/pc

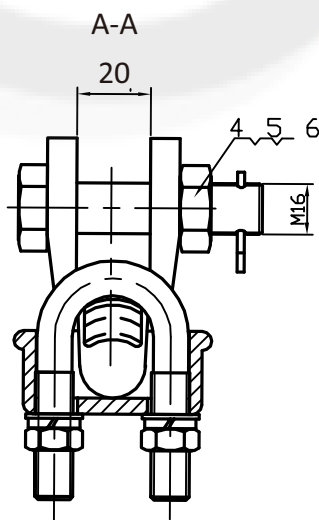
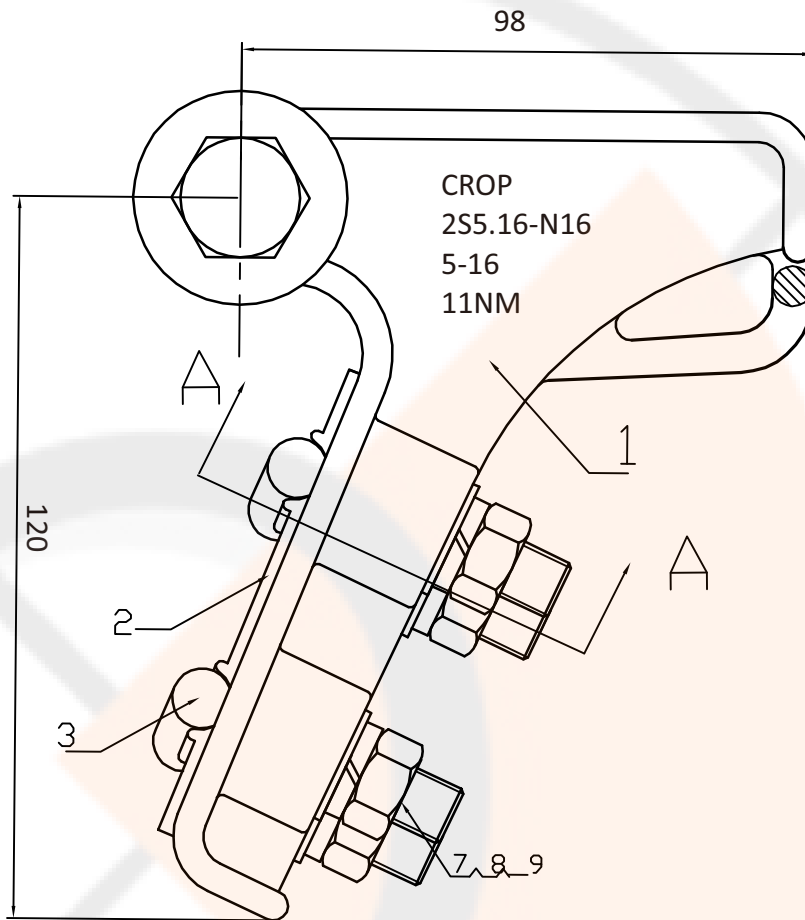
N.W. : 21.55 kg

G.W. : 22 kg

STORAGE AND TRANSPORT:

Product does not have any specific storage requirements. It is fire resistant and non-hazardous.



**STRAIN CLAMP
BOLT TYPE****POSITION. ITEM - MATERIAL**

- 1. Body - Aluminium alloy**
- 2. Presspad - Aluminium body**
- 3. U-bolt - H.D.G. Steel**
- 4. Nut - H.D.G. Steel**
- 5. Nut - H.D.G. Steel**
- 6. Clip - Stainless steel**
- 7. Washer - H.D.G. Steel**
- 8. Spring - H.D.G. Steel**
- 9. Nut - H.D.G. Steel**