

B316 Anchor clamp with bracket

Anchor Clamp | Tension Clamp

ACNMx-y

a= Number of core; AN= Anchor clamp;

x= Min.section of conductor;y=Max.section of conductor

One Core Anchor clamps are design to anchor self supporting LV.ABC from 2 to 4 cores, the wedge can be self-adjusting. Pilot wires or street lighting conductor are led alongside the clamp. The self opening is featured by an integrate spring facilities for easily insert the conductor in to the clamp.

PRODUCT RANGE:

Type	Cross Section (mm ²)	Weight (kg)
1AN50.70	50-70	0.425
BR3		0.135

USED MATERIALS:

Hi-conductivity aluminium UV & fire resistant plastic, hot dip galvanized steel stripe.

VARIANTS:

The product is manufactured and supplied in this form only.

PACKING:

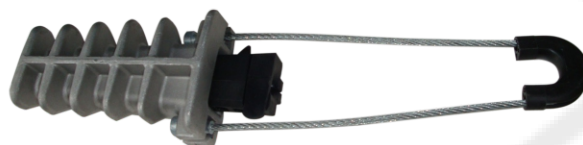
Standard package for transport. or according to customer requirment.

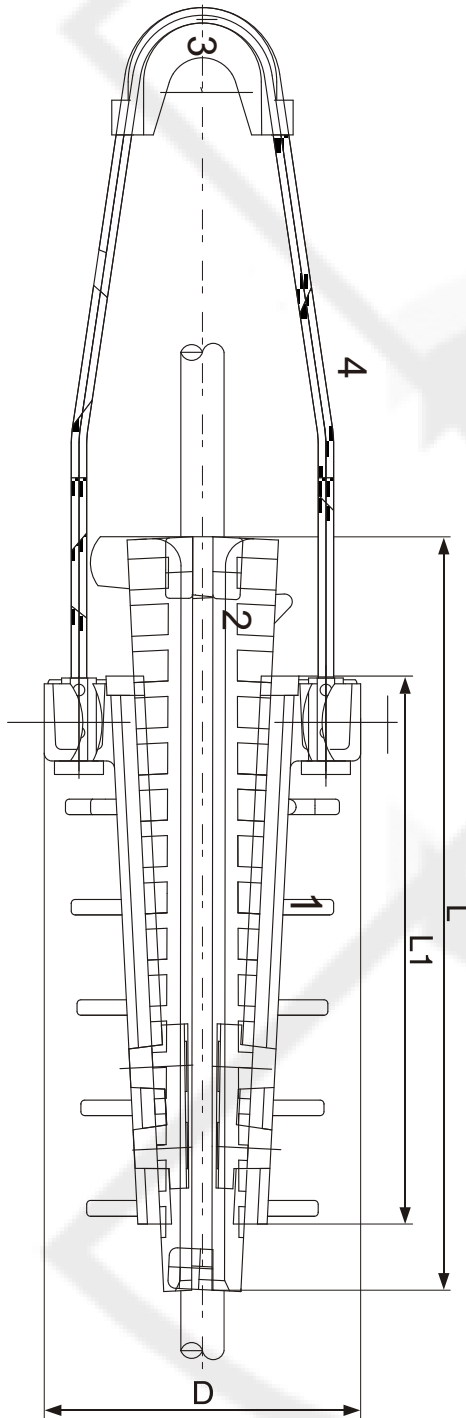
STORAGE AND TRANSPORT:

Product don't have and specific requirements on storage. Its is fire-resistan and its not dangerous

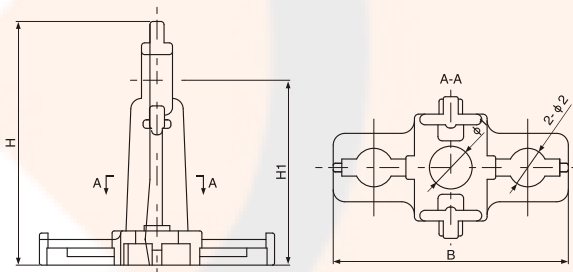


BR 3



**ANCHOR CLAMP
WITH BRACKET****B316 Anchor clamp with bracket****MATERIAL**

1. wedge - themosplastic
2. body- Aluminum alloy
3. themosplastic
4. Hot dip galvaniyed steel

**Aluminum Alloy Bracket**