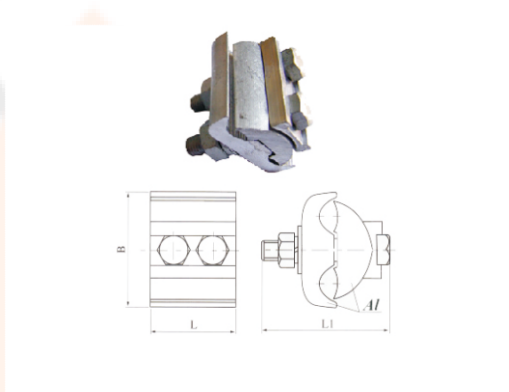


## B602 Parallel groove clamp PG010



### Parallel Groove Clamp Multiple Center Bolts (PG 010)

Use for aluminum conductor to aluminum conductor connection.

TYPE	PRODUCT RANGE (sqmm)	DIMENSION (mm)		
		L	B	R
PG010-0A	6~70	48	45	5.5
PG010-1A	10~120	46	45	7.5
PG010-1B	10~120	70	45	7.5
PG010-2A	50~240	50	60	10.5
PG010-2B	50~240	70	60	10.5
PG010-0A(CT)	6~70	48	45	5.5
PG010-1A(CT)	10~120	46	45	7.5
PG010-2A(CT)	50~240	50	60	10.5

A= 2 bolts ; B= 3 bolts .

T= Tinned body for connecting Aluminum and or Copper conductor  
 C= Copper material for connecting Copper to Copper conductor  
 default body aluminum alloy.



### Parallel Groove Clamp Insulated Cover- PGCC

